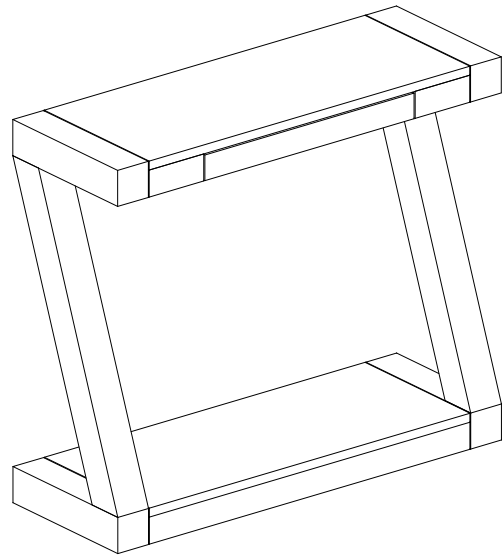


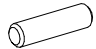


ASSEMBLY INSTRUCTIONS

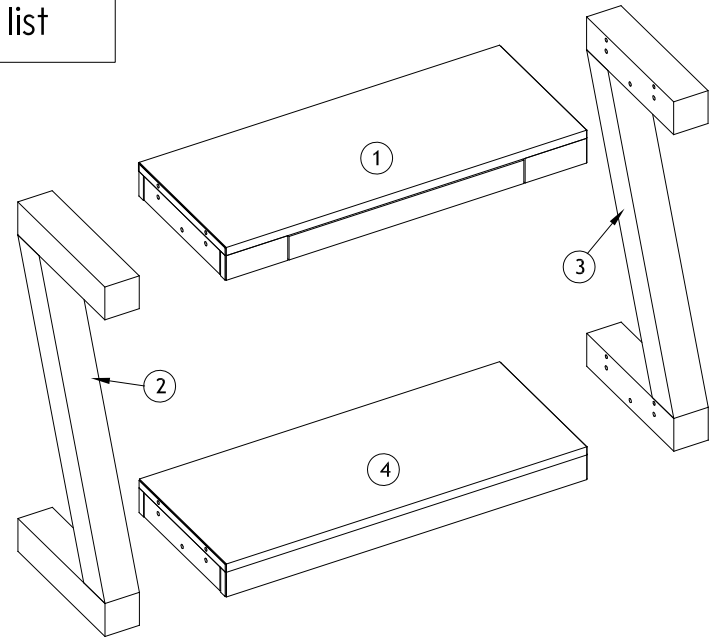
for ZHT




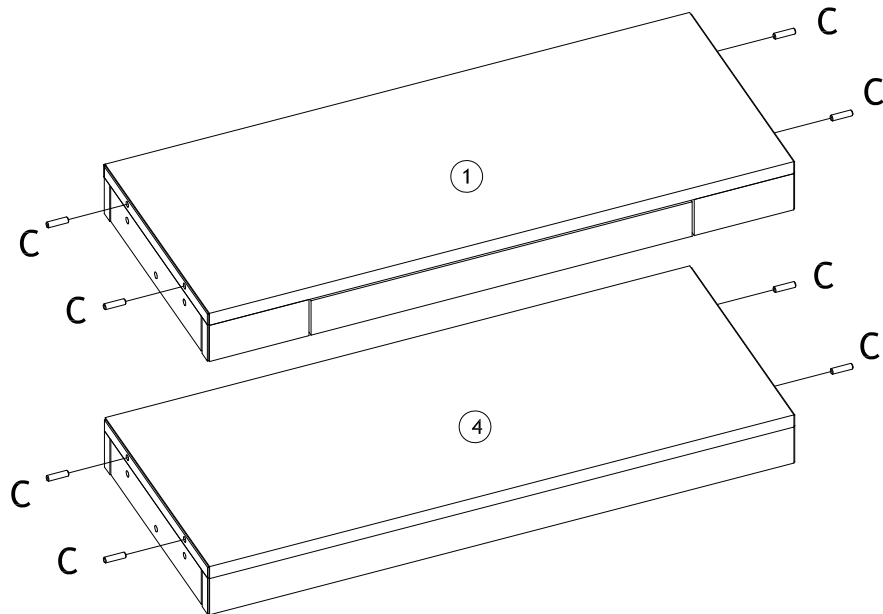
hardware list

- A  x12pcs
- B  x1pcs
- C  x8pcs

parts list



step 1. C  x8pcs



step 2. A  x12pcs

