

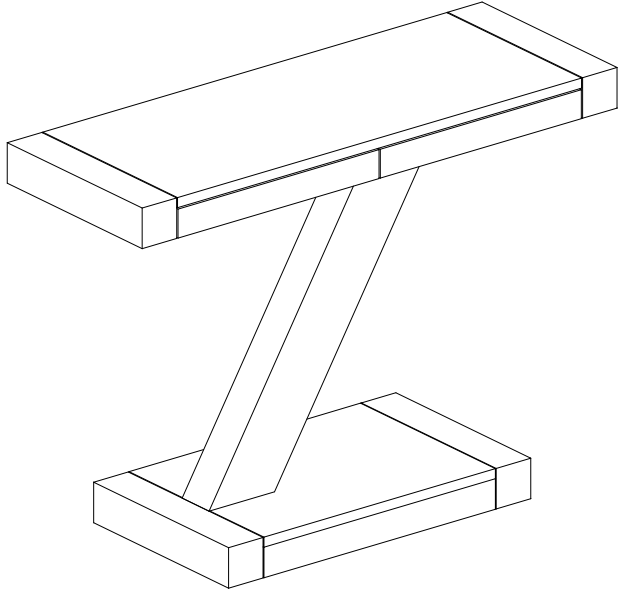


ASSEMBLY INSTRUCTIONS

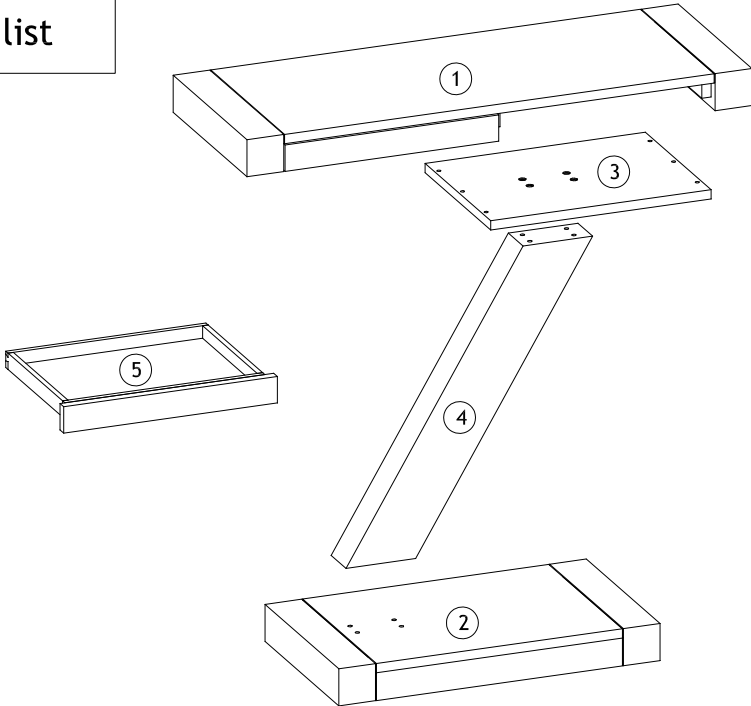
for ZHTMOD

hardware list

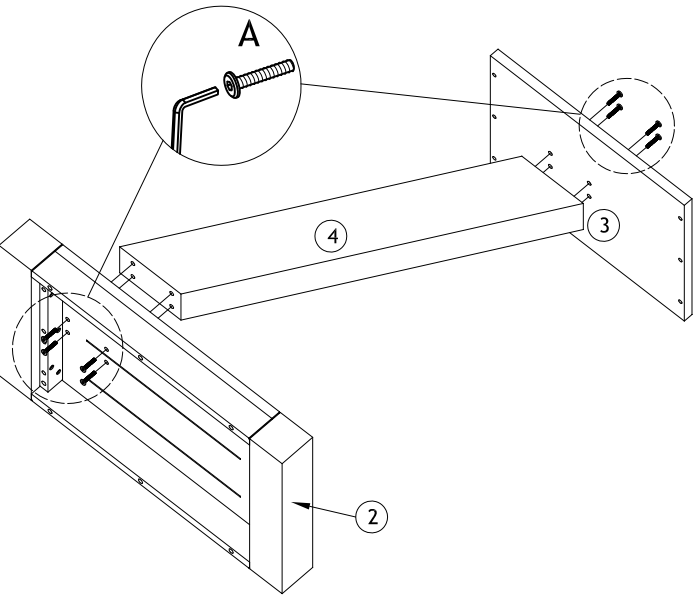
- A  x14pcs
- B  x1pcs



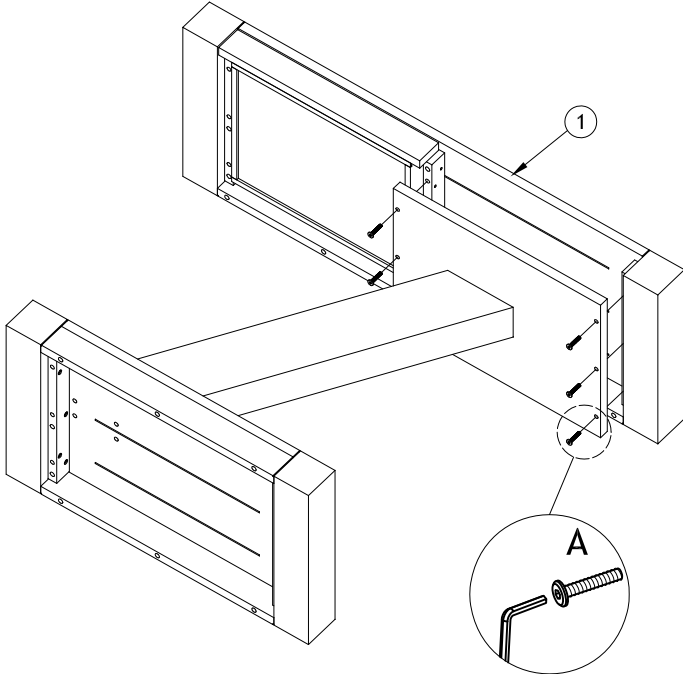
parts list



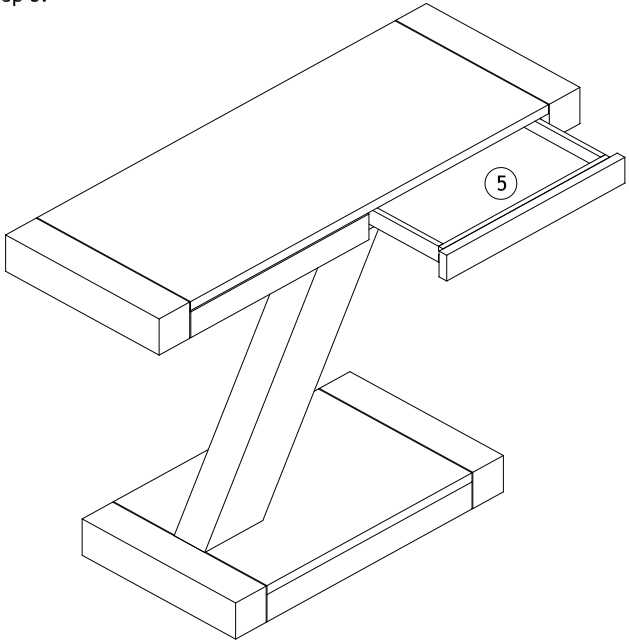
step 1. A  x8pcs



step 2. A  x6pcs



step 3.



* Tighten all the screws.