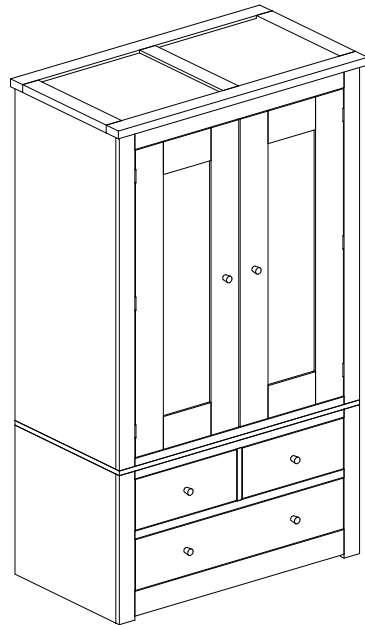
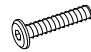






# ASSEMBLY INSTRUCTIONS

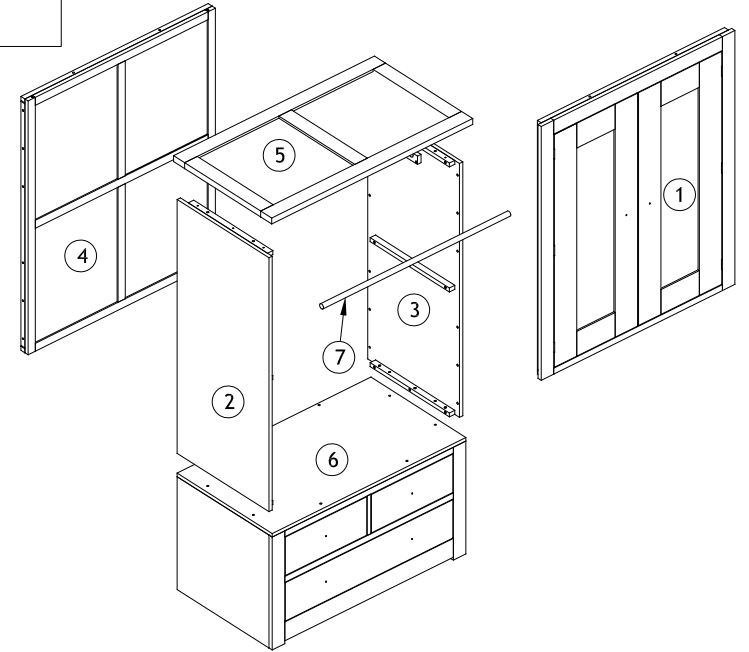
for TORGW




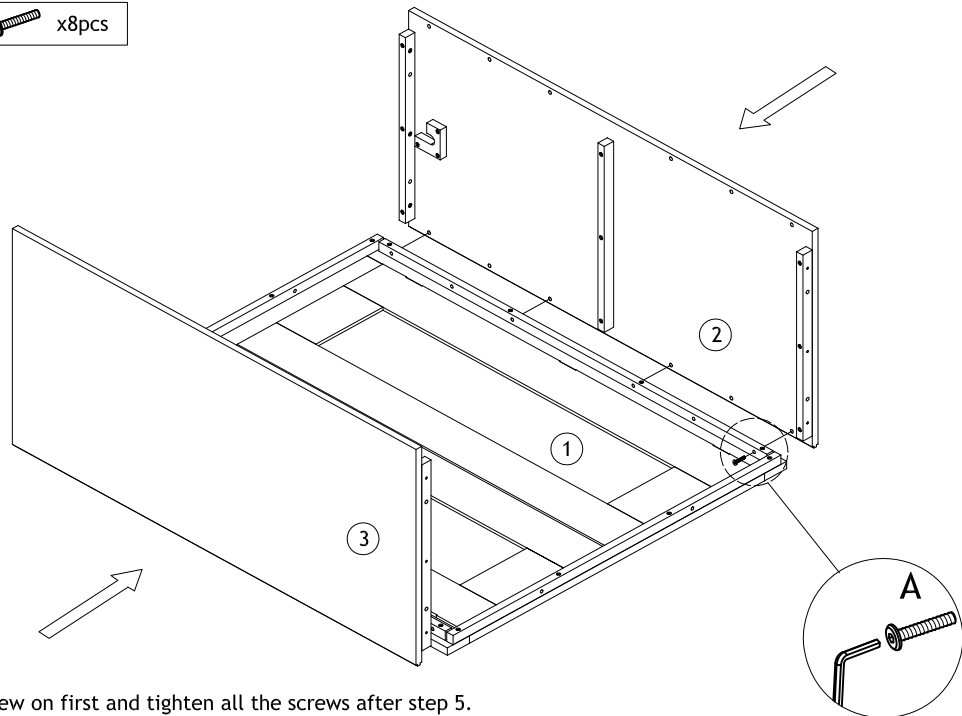
## hardware list

- A  x24pcs
- B  x12pcs
- C  x1pcs
- D  x6pcs
- E  x6pcs

## parts list

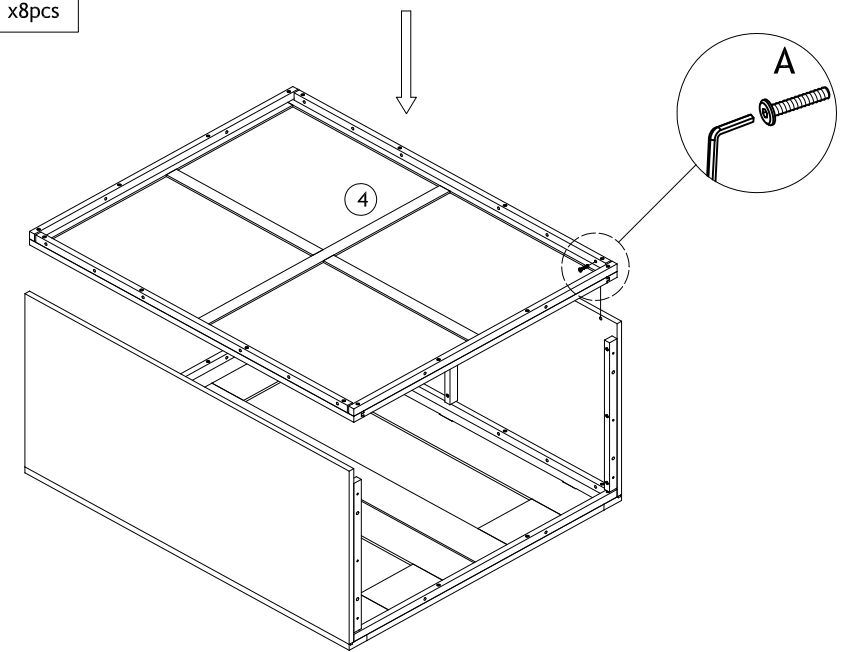


step 1.  x8pcs





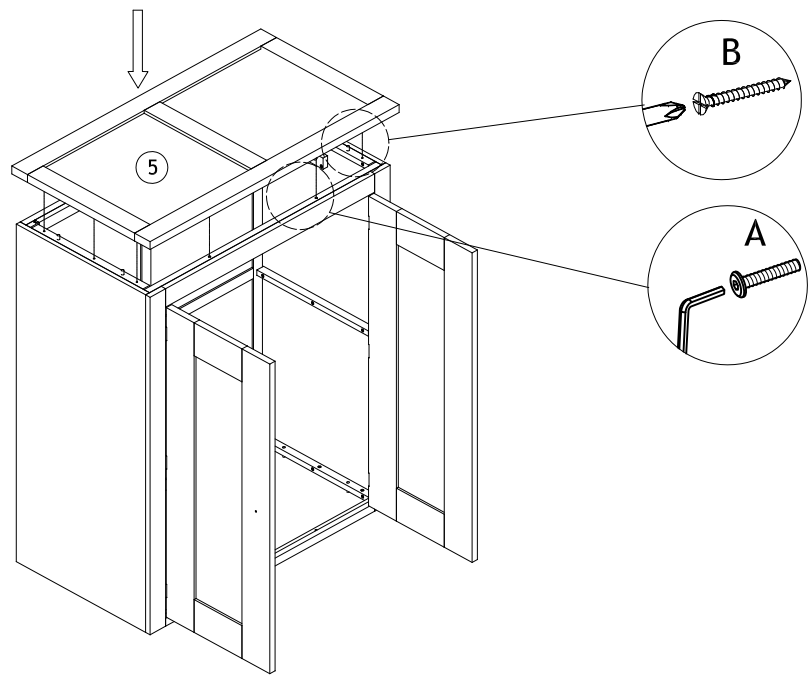
\* Screw on first and tighten all the screws after step 5.

step 2.  x8pcs





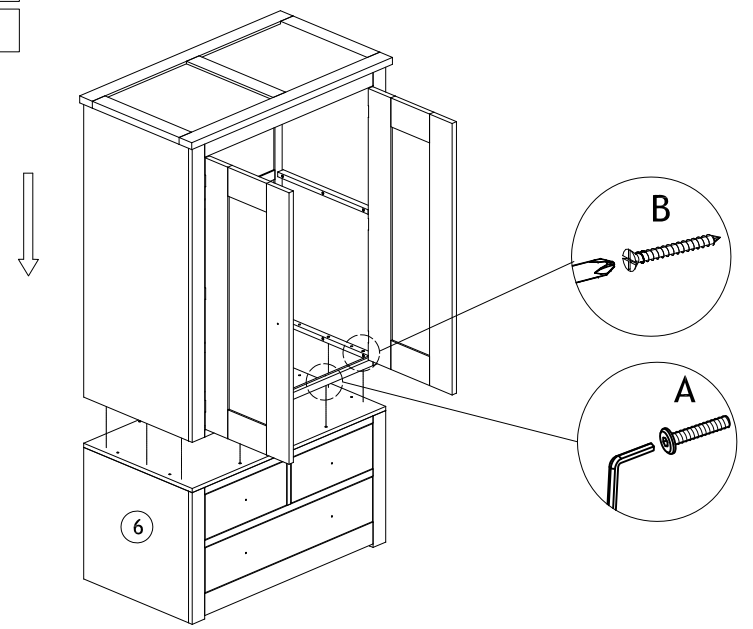
\* Screw on first and tighten all the screws after step 5.

- step 3. A  x4pcs  
 B  x6pcs





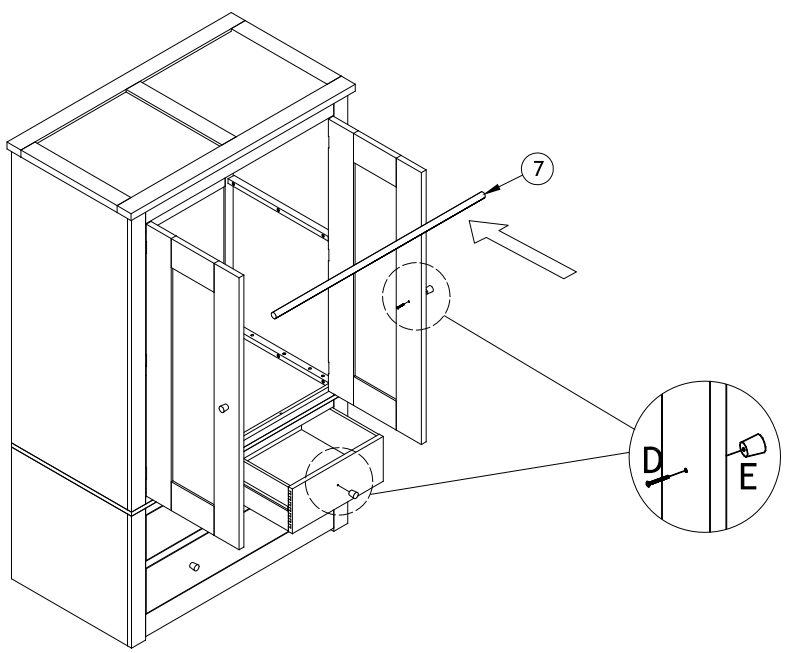
\* Screw on first and tighten all the screws after step 5.

- step 4. A  x4pcs  
 B  x6pcs



\* Screw on first and tighten all the screws after step 5.

- step 5. D  x6pcs  
 E  x6pcs



\* Screw on first and tighten all the screws after step 5.

step 6. Tighten all the screws.

