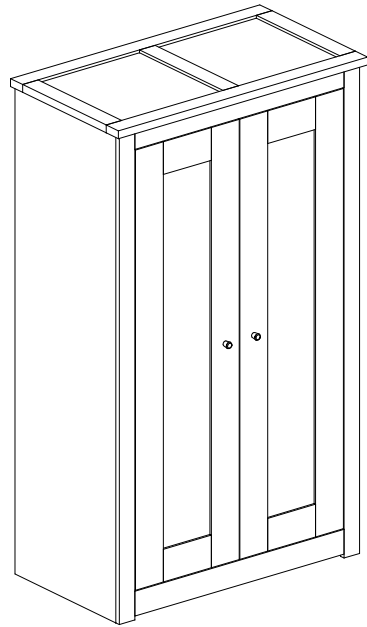
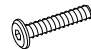






ASSEMBLY INSTRUCTIONS

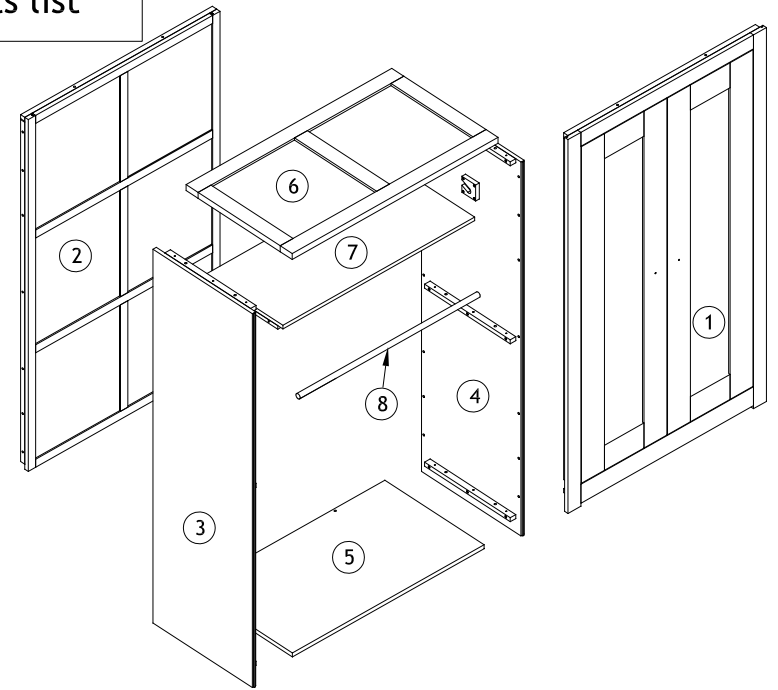
for TORDW



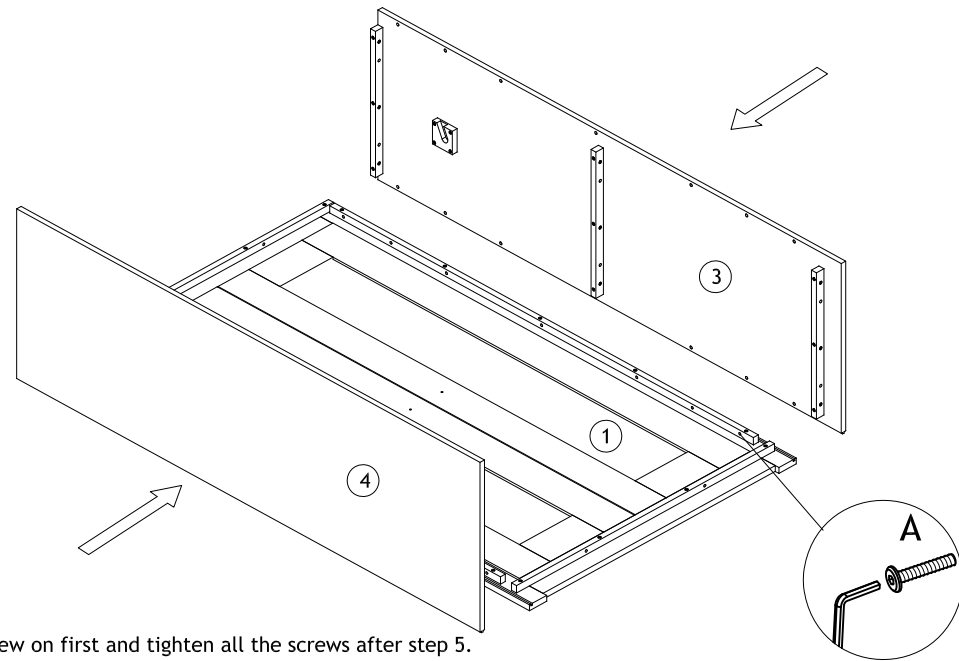
hardware list

- A  x28pcs
- B  x18pcs
- C  x1pcs
- D  x2pcs
- E  x2pcs

parts list

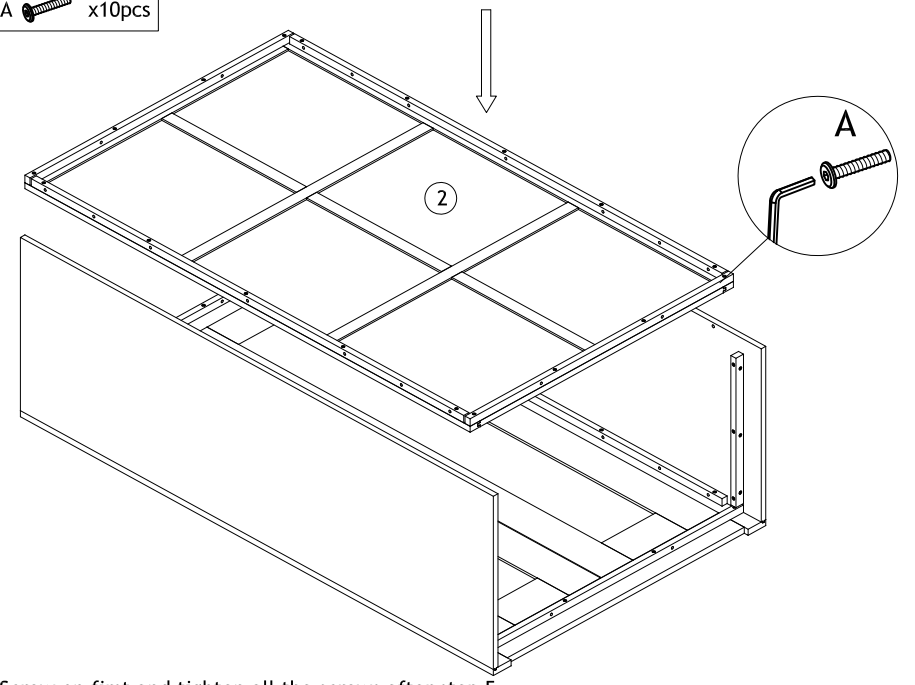


step 1.  x10pcs




* Screw on first and tighten all the screws after step 5.

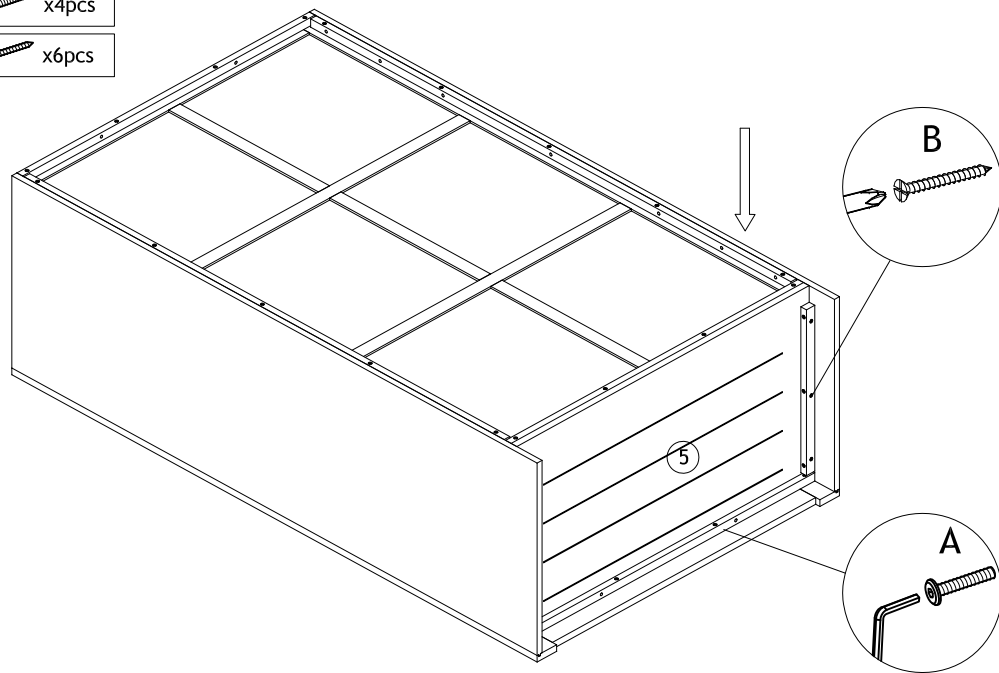
step 2.  x10pcs



* Screw on first and tighten all the screws after step 5.

step 3. A  x4pcs

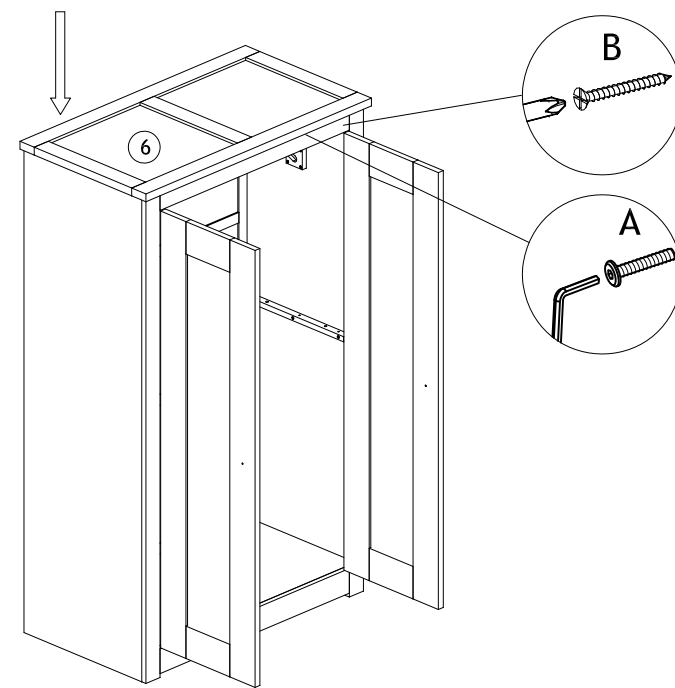
B  x6pcs



* Screw on first and tighten all the screws after step 5.

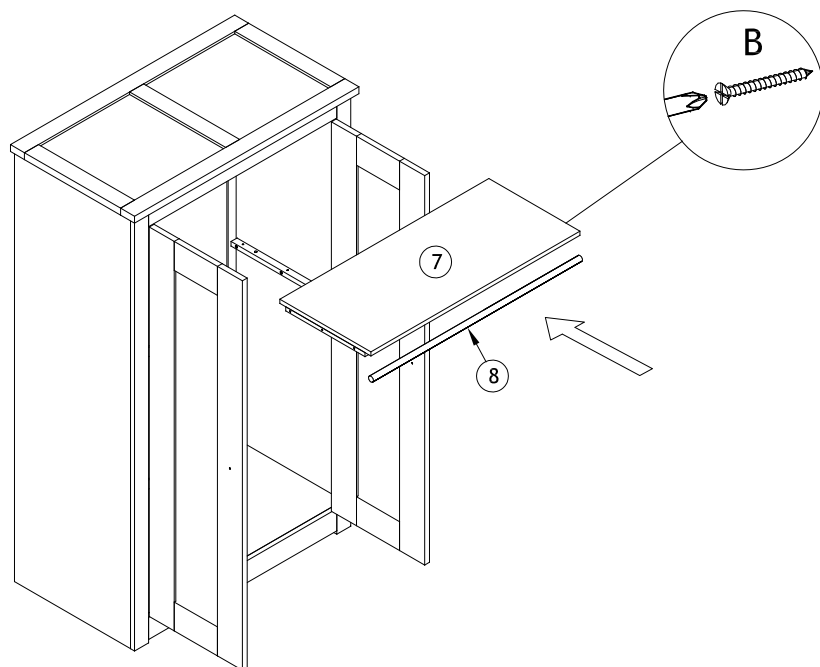
step 4. A  x4pcs

B  x6pcs





* Screw on first and tighten all the screws after step 5.

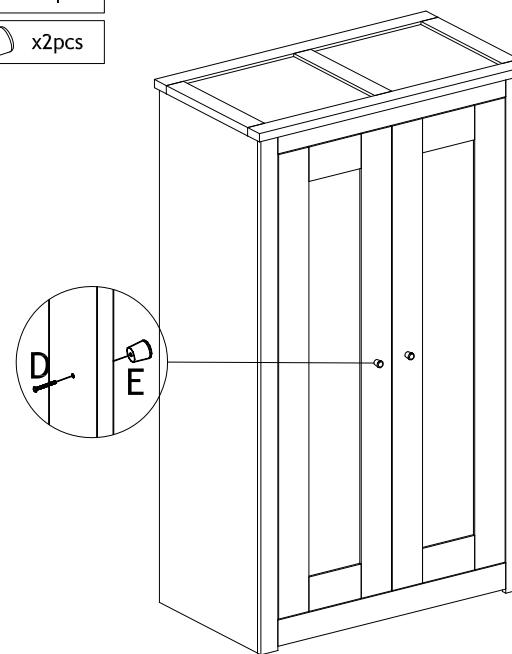
step 5. B  x6pcs



* Screw on first and tighten all the screws after step 5.

step 6. D  x2pcs

E  x2pcs



* Tighten all the screws.