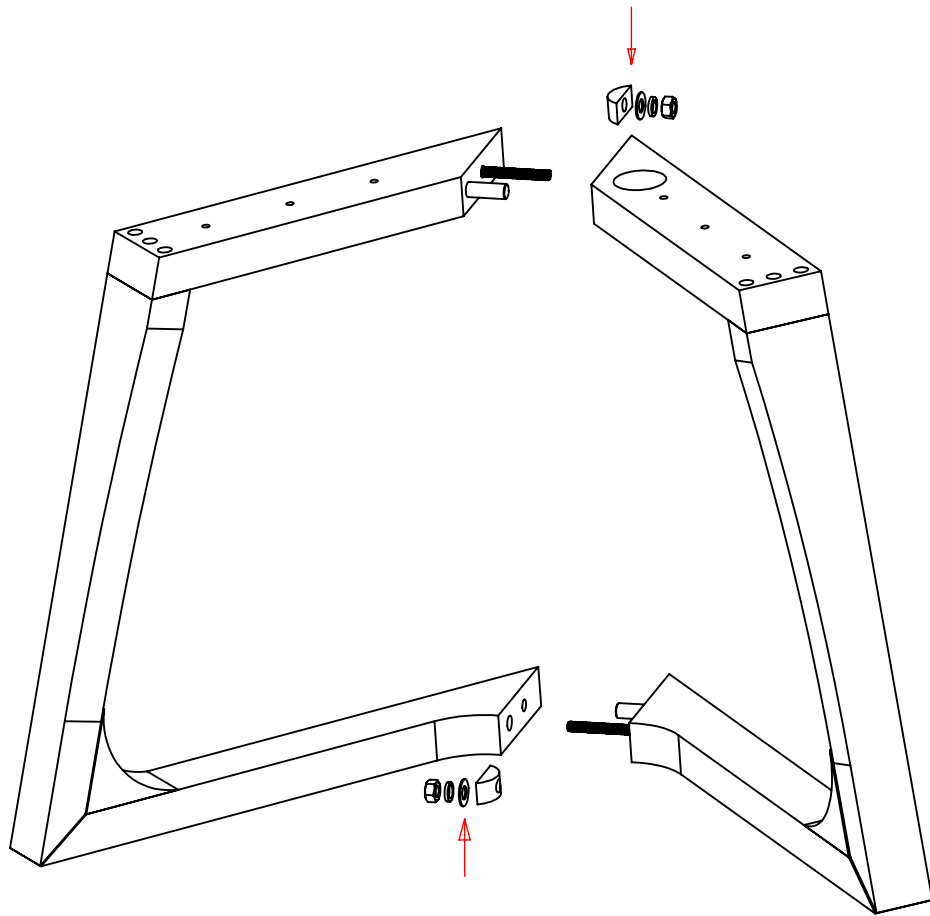


AI-SCAVMLT

step 1



step 2

